

BMPS3 Series

Features	
Design	3 way pneumatically actuated pinch valve
Sealing principle	Elastic lip seal
Design	Pneumatically actuated pinch valve
Mounting position	Vertical Clamp pipe
Flow direction	From pipe hole to each valve
Valve function	2/2 way, normally open
Reset method	Rebound resilience
Nominal pressure	PN10
Sleeve feature	Replaceable



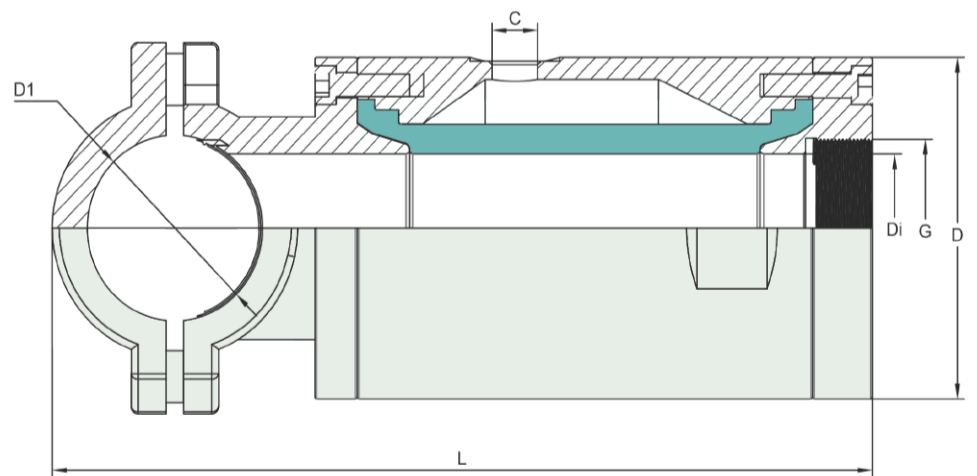
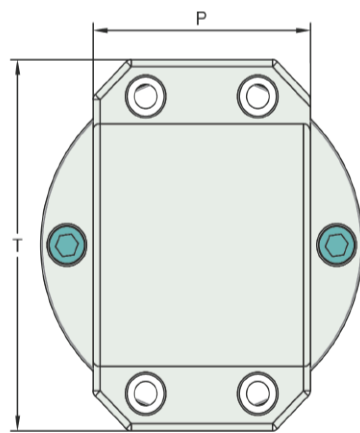
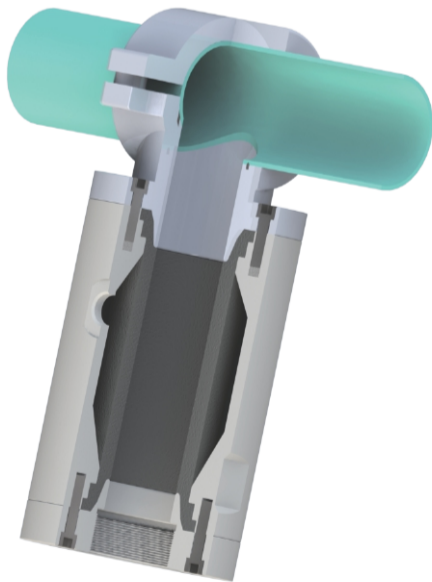
Technical data	
Housing	Aluminum alloy
Socket	White POM
Seal or sleeve	Natural rubber, EPDM, NBR, HNBR, VITON.....
Pipe clamp	PVC
Working temperature [°C]	-20.....+120
Medium pressure [bar]	0.....6
Pressure difference [bar]	1.....3
Optimum control pressure	Medium pressure+Pressure difference

Advantage

- * 3 way design
- * Free passage
- * No plugging
- * 100% shut off
- * Quick open-close
- * Avoid connection loose

Application

- * Mainly for liquid animal feeding
- * Medium: syrup, ice cream, milk, liquid food



DN (mm)	Di (mm)	D (mm)	L (mm)	D1 (mm)	C	P	T	Vol.l	Weight KG
40	40	92	234	50	G 1/4"	62	100	0.25	1.8
50	50	116	260	63	G 1/4"	80	116	0.36	2.2